









# OneShow Gelato

**120 • 170 • 120+120 • 170+170**

An essential design and a wonderful look for gelato gave birth to OneShow. Dimensions are cut to the bone [29 1/8 inch] and there is a wide range of materials and precious finishing to choose from, which allows endless combinations of layout.



**FREE**

	<b>REFRIGERANT</b>	R404A
	<b>ENERGY SAVING</b>	Led + EC Fan motor
	<b>INSTALLATION</b>	<ul style="list-style-type: none"> <li>• Plug-In (standard)</li> <li>• Remote (special order)</li> </ul>
	<b>CABINET CAPACITY RANGE</b>	-4 / 35,6 °F
	<b>DEFROST</b>	Reverse cycle
	<b>CLIMATIC CLASS</b>	4 [86 °F / 55% R.H.]
	<b>REFRIGERATION</b>	Ventilated
	<b>CLOSING SYSTEM</b>	Doors



**BASE**

**STANDARD MODEL INCLUDES:**

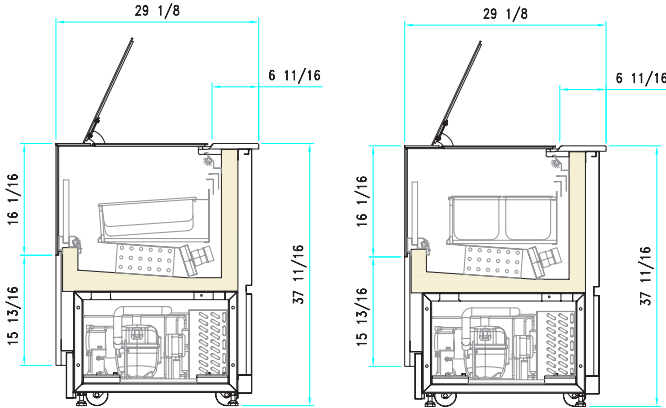
- Operator side closure with door
- Work top in solid surface white
- Electronic control panel
- Swivel casters with brake (FREE)
- Adjustable feet (BASE)
- Led lighting
- Front+Side in Corian Glacier White

# OneShow

## Gelato

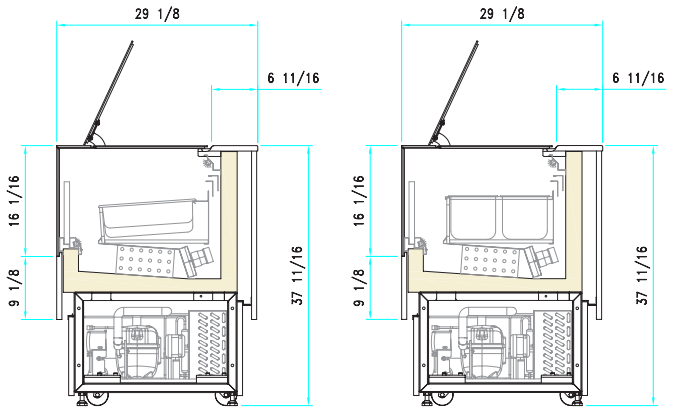
### FREE

Pans ..... Container "Carapina" .....



### BASE

Pans ..... Container "Carapina" .....



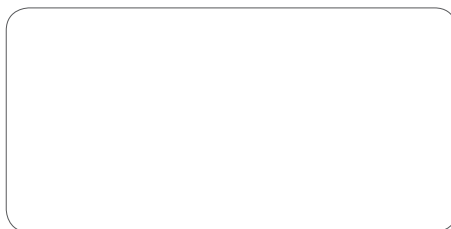
TECHNICAL FEATURES			120	170	120+120	170+170
External dimensions	Lenght	inch	47 1/4	67 1/8	92 15/16	132 11/16
Capacity	Gross / Net	liters	273 / 69	402 / 102	545 / 138	804 / 204
Weight	Net	lb	463	617	837	1.124
Refrigerant			R404A			
Product temperature		°F	3.2 / 6.8			
Compressor	Type / Q.ty		Hermetic / 1		Hermetic / 2	
Defrost			Reverse cycle			

POLICARBONTE CONTAINERS			120	170	120+120	170+170
5 lt (Standard)	14 3/16 x 6 1/2 x 4 23/32		6	9	6 + 6	9+9
5 lt (Large)	14 3/16 x 9 27/32 x 3 5/32		4	6	4 + 4	6 + 6
3 lt (Carapina)	Ø 6 1/16 x 6 5/16h		10	16	10 + 10	16 + 16

ELECTRICAL DATA			120	170	120+120	170+170
Power supply			220 / 60 / 2 pole - 3 wire grounding			
Nema plug			6-15P			
Electrical input	A		10	11	10+10	11+11

Technical info refers to models with built-in air cooled condensing unit.

PACKAGING STANDARD (Carton + Pallet)			120	170	120+120	170+170
External dimensions	Lenght	inch	51 3/16	70 7/8	97 5/8	137 25/32
	Depth x Height	inch	32 9/32 x 44 3/32			
Gross weight		lb	353	551	716	1.212



Dealer

### Carpigiani North America

3760 Industrial Drive  
Winston-Salem  
NC 27105  
[www.carpigiani-usa.com](http://www.carpigiani-usa.com)

### ISA S.p.A.

Via Madonna di campagna, 123  
06083 Bastia Umbra (PG)  
Italy  
T. +39 075 801 71  
F. +39 075 800 09 00  
E. [customerservice@isaitaly.com](mailto:customerservice@isaitaly.com)  
[www.isaitaly.com](http://www.isaitaly.com)