

TECHNICAL SHEET



Katerina

vision **V6**



TEKNĒITALIA®

The Art of Quality

GELATO



MEASURES



FIG. 1

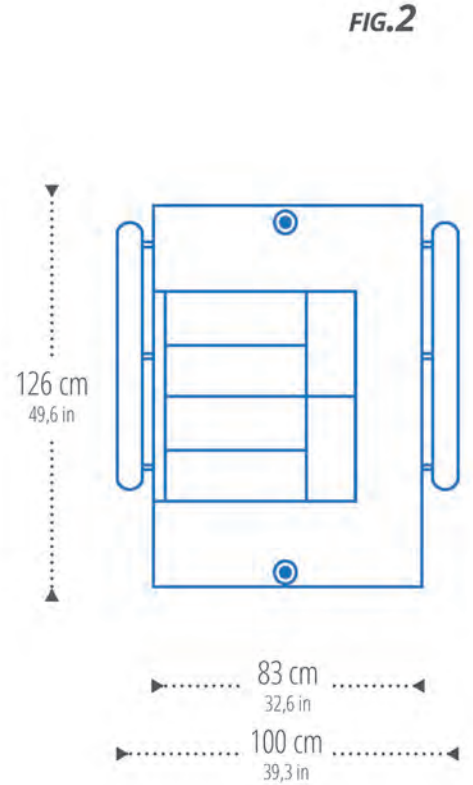


FIG. 2

TECHNICAL SPECIFICATIONS

DIMENSIONS (WxHxD) CM	99x127x100
COUNTERTOP DIMENSIONS (WxD) CM	81x127
ROOF HEIGHT CM	100
TENT SIZE CM	114x141x20

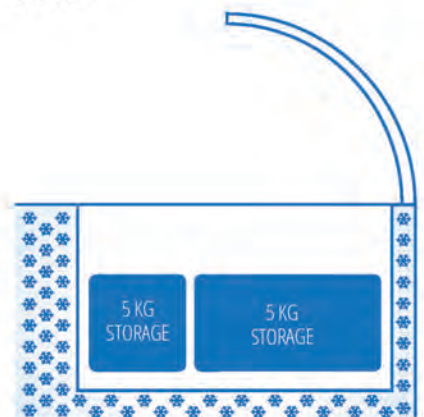
EMPTY WEIGHT KG	about 200
LOAD CAPACITY	6 tanks (5kg each) total 30kg

COLD STORE INSULATION	Injected polyurethane without HCFC/CFC
COOLING SYSTEM	Dry refrigeration
COLD STORE CHARACTERISTICS	Condensing hermetic system with motor fan, temperature control, copper evaporator
OPERATING COLD ROOM TEMPERATURE	-25°/+5°C
OPERATING AMBIENT TEMPERATURE	from 0° to 35°C
COLD AUTONOMY	30 min

BODY	Painted aluminium
OVERLAY	Telescopic and removable tent in stainless steel
LIGHTING	Removable LED light in stainless steel
WORKTOP	Stainless steel

POWER SUPPLY	240V/50Hz or 110V/60Kz
POWER CONSUMPTION	350W

FIG. 3



Subject to technical modifications

