

Supercapri

Gelato Plus



JTB DISTRIBUTORS
EST. 1991

H 46 3/16 (H117) • 53 1/4 (H135)

L 46 23/32 (120) • 66 7/32 (170) • 85 23/32 (220) • 72 23/32 (AE45)



H 117

Installation	Plug-in	●
	Remote	□
Refrigerant	R290	●
Configuration	Channeling	□
	Dual temperature	□
Lighting	Led 5700 K	●
Refrigeration	Ventilated	●
Climatic class	7	●
Operator side closure	Plexiglass sliding doors	●
	Self rolling curtain	□
Control panel	Electronic	●
Work top	Solid surface white	●
Equipment handling	Swivel casters with brake and height adjustable feet	●
Glass shelves	1 (H 135)	□

● Standard □ Special order

Colors Side panel - Front panel and Grid

RAL 7022 Grey ●

RAL on request □

● Standard □ Special order

Configuration		120	170	220	AE45
Stainless steel containers Not included	Standard 14 3/16 x 6 1/2 x 4 23/32H	12	18	24	13
	5 lt Large 14 3/16 x 9 27/32 x 3 2/32H	8	12	16	9
	Trapezoidale 14 3/16 x 7 9/32 x 4 23/32H	-	-	-	14

Supercapri Gelato			120	170	220	AE45	
External dimensions	Lenght	inch	46 23/32	66 7/32	85 23/32	72 23/32	
Capacity	Gross / Net	liters	H 117	685 / 147	1009 / 216	1332 / 285	901 / 193
			H 135	824 / 147	1212 / 216	1600 / 285	1082 / 193
Weight	Net	lb	H 117	705,5	901,7	1.124,3	881,8
			H 135	762,8	956,8	1.179,5	937
Climate class	7						
Operating conditions	°F / %RH [°C / %RH]		95 / 75 [35 / 75]				
Cabinet capacity range	°F [°C]		-4 / 35,6 [-20 / +2]				
Product temperature	°F [°C]		3,2 / 6,8 [-16 / -14]				
Refrigerant	R290						
Compressor	Type / Q.ty	Hermetic / 1		Hermetics / 2			
Defrost	Reverse cycle						

Electrical data

Technical info refers to models with built-in air cooled condensing unit

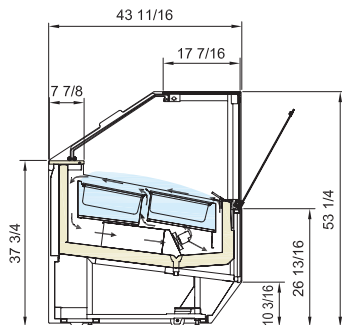
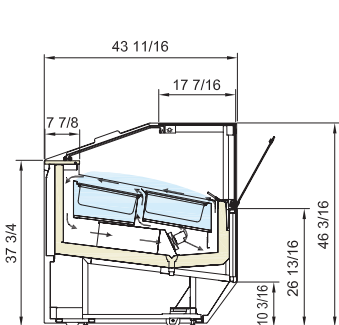
Power supply	220 V / 1 Ph / 60 Hz					
Nema plug			6-15P	6-20P		
Electrical input	A		7,1	13,6	14,1	13,8

Packaging

Type	Pallet + Carton						
External dimensions	Lenght	inch	54,3	73,8	93,3	81,1	
	Depth x Height	inch	53 17/32 x 61 11/16				
Gross weight	Gross	lb	H 117	749,6	956,8	1.190	926
			H 135	806,9	1.012	1.245	981

H 117

H 135



PLUS

Single evaporator with double front air out flow.
Fixed deflectors.



JTB Distributors
61 Sheey Ct Napa CA 94558
707-251-3910
info@jtbdistributors.com
www.jtbdistributors.com



JTB DISTRIBUTORS
EST. 1991