

## Gelato

H 53 7/16 [H135]

L 45 29/32 [120] • 65 13/32 [170] • 84 7/8 [220]



**ST**



**LX** [Special order]

Installation	Plug-in	●
	Remote	□
Refrigerant	R290	●
Configuration	1 shelf	□
	Dual temperature	□
Lighting	Led 5700 K	●
Refrigeration	Ventilated	●
Climatic class	7	●
Operator side closure	Self rolling curtain	●
	Plexiglass sliding doors	□
Control panel	Electronic	●
Work top	Stainless steel	●
Equipment handling	Swivel casters with brake and height adjustable feet	●

● Standard □ Special order

### Colors Side panel - Front panel and Grid

RAL 9003 White ●

RAL on request □

● Standard □ Special order

### Configuration

Stainless steel containers Not included

	120	170	220
<b>Standard</b> 14 3/16 x 6 1/2 x 4 23/32H	12	18	24
5 lt			
<b>Large</b> 14 3/16 x 9 27/32 x 3 2/32H	8	12	16

<b>Millennium Gelato</b>	<b>120</b>	<b>170</b>	<b>220</b>
--------------------------	------------	------------	------------

External dimensions	Lenght	inch	45 29/32	65 13/32	84 7/8
Capacity	Gross / Net	liters	630 / 118	970 / 181	1300 / 241
Weight	Net	lb	441	573,2	793,6
Climate class			7		
Operating conditions		°F / %RH [°C / %RH]	95 / 75 [35 / 75]		
Cabinet capacity range		°F [°C]	-4 / 35,6 [-20 / +2]		
Product temperature		°F [°C]	3,2 / 6,8 [-16 / -14]		
Refrigerant			R290		
Compressor	Type / Q.ty		Hermetic / 1	Hermetics / 2	
Defrost			Reverse cycle		

**Electrical data**

Technical info refers to models with built-in air cooled condensing unit

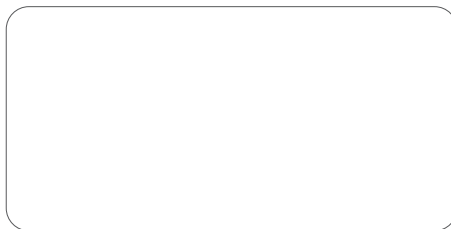
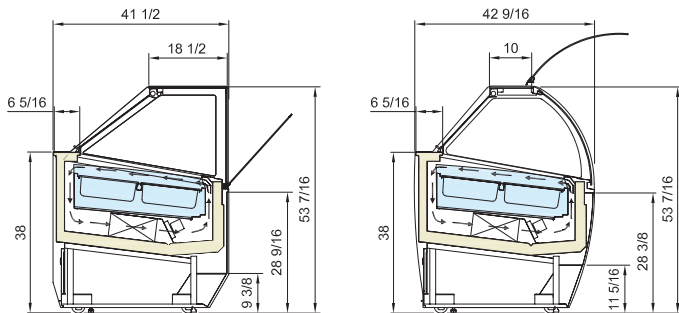
Power supply	V	220 V / 1 Ph / 60 Hz		
Nema plug		6-15P	6-20P	
Electrical input	A	7,1	13,6	14,1

**Packaging**

Type	Pallet + Carton				
External dimensions	Lenght	inch	50 13/32	69 7/8	89 3/8
	Depth x Height	inch	45 3/32 x 61 13/32		
Gross weight	Gross	lb	489,4	630,5	860,1

**ST**

**LX**



Dealer

**Carpigiani North America**

738 Gallimore Dairy Road  
Suite 113  
High Point, NC 27265  
USA  
Office: 800.648.4389

[www.carpigiani.com/us](http://www.carpigiani.com/us)

**ISA S.p.A.**

Via Madonna di campagna, 123  
06083 Bastia Umbra [PG]  
Italy  
T. +39 075 801 71  
F. +39 075 800 09 00  
E. [customerservice@isaitaly.com](mailto:customerservice@isaitaly.com)

[www.isaitaly.com](http://www.isaitaly.com)