

# Diva

## Pastry









H 49 1/2 [H125] • 55 7/16 [H140]  
 L 46 5/16 [120] • 65 25/32 [170] • 85 9/32 [220]



H 125

Installation	Plug-in	●
	Remote	□
Refrigerant	R290	●
Configuration	Channeling	□
Lighting	Led 5700 K	●
Refrigeration	Ventilated	●
Climatic class	3	●
Operator side closure	Plexiglass sliding doors	●
	Self rolling curtain	□
Control panel	Electronic	●
Work top	Solid surface white	●
Equipment handling	Swivel casters with brake and height adjustable feet	●
Glass shelves	1 [H 125] - 2 [H 140]	●

● Standard □ Special order

Colors	Side panels	Front panel	Grid
Corian™ Glacier White 	●	●	
RAL 9003 White 			●
Corian™ Clay 	□	□	
Corian™ Pearl Gray 	□	□	
Corian™ Bisque 	□	□	
RAL on request 	□	□	□

● Standard □ Special order

Diva Pastry			120	170	220
External dimensions	Lenght	inch	46 5/16	65 25/32	85 9/32
Capacity	Gross / Net	liters	H 125	719 / 147	1059 / 216
			H 140	865 / 147	1273 / 216
Weight	Net	lb	H 125	661,4	826,7
			H 140	716,5	848,7
Climate class	3				
Operating conditions	°F / %RH [°C / %RH]		77 / 60 [25 / 60]		
Product temperature	°F [°C]		33,8 / 50 [+1 / +10]		
Refrigerant	R290				
Compressor	Type / Q.ty		Hermetic / 1		
Defrost	Off Cycle				

#### Electrical data

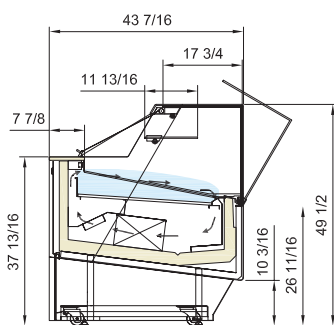
Technical info refers to models with built-in air cooled condensing unit

Power supply	115 V / 1 Ph / 60 Hz				
Nema plug	5-15P				
Electrical input	A	7,1	7,6	7,2	

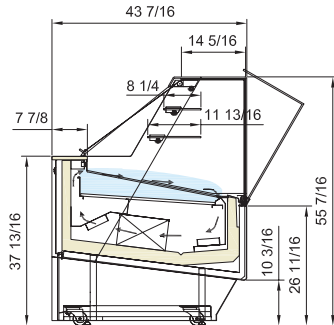
#### Packaging

Type			Pallet + Carton		
External dimensions	Lenght	inch	54 11/32	73 13/16	93 5/16
	Depth x Height	inch	53 17/32 x 61 11/16		
Gross weight	Gross	lb	H 125	705,5	881,8
			H 140	760,6	903,8

#### H 125



#### H 140



JTB Distributors  
 61 Sheey Ct Napa CA 94558  
 707-251-3910  
 info@jtbistributors.com  
 www.jtbistributors.com

