

LB-200 G TRONIC

counter model batch freezer



Full size batches

Ideal for small spaces, Carpigiani's new **LB-200 GT** machines is efficient, flexible and affordable. From small to large batches, this machines freeze 2 to 5 quarts of mix and provide a wide variety of products (such as ice cream, sorbet, sherbet, Italian ice and gelato, depending on the model).

The **LB-200 GT** machine is simple to operate, clean, and reassemble and rival free-standing floor models for their output, product quality, and efficiency.

The new **LB-200 G Tronic** incorporates the latest state-of-the-art Batch Freezer technology, offering a greater range of batch sizes and precise control over product quality. Make large or small quantities of your favorite Gelato, Ice Cream, Sorbet, Sherbet, Italian Ice and more, with consistent results. Our patented system produces a consistent finished product with greater stability and larger storage capacity. Carpigiani batch freezers offer the lowest power consumption in the industry while providing some of the quickest batch times.



Features & Benefits

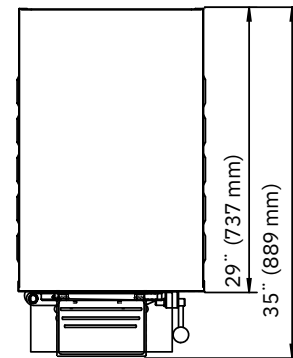
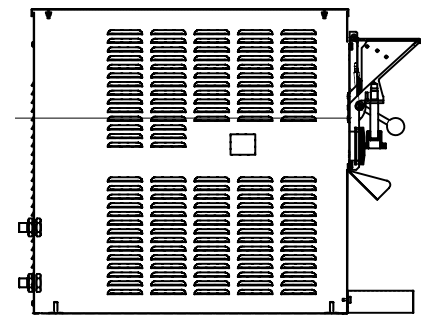
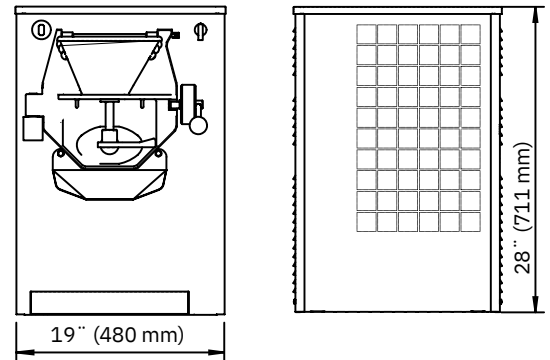
Full size freezing chamber Makes up to 5 quart batches
Special door material Lightweight, easy to handle
Adjustable electronic consistency control Delivers same consistency at different loads, appropriate consistency regardless of the ingredients used in each flavor
Electronic touch pad Delivers instant operational information
Self-adjusting scraper blades Guarantees consistent performance
Removable scraper blades No need for technical service; no need to replace the entire beater
Design of auger ejection Minimal residual product, flavor overlap and waste. Food cost savings.
Air cooling No water consumption, environmentally friendly, utilities cost saving
Countertop Saves space
Two-speeds More efficient extraction



Carpigiani Corporation of America
3760 Industrial Drive
Winston Salem, NC 27105
Toll Free: 1 800 648 4389
carpigiani-usa.com

Machine specifications

| MoDEL LB-200 G TRoNIC DESCRIPtIoN | | |
|------------------------------------|--------------------------------|--------------|
| Cylinder Capacity (without beater) | 10 Quarts | |
| Cylinder Refrig. Control System | Electronic Consistency Control | |
| Cylinder Type | Helicoidal Path | |
| Compressor Motor | 2 HP | |
| Water Connections | 1/2" MPT | |
| Condenser Cooling | Air / Water | |
| Refrigerant Type | R-404A | |
| Frame Type | Counter Model | |
| Frame Construction | Welded Steel | |
| Outer Panels | Stainless Steel | |
| Footing | Steel Base | |
| Dimensions | | |
| Width | Depth | Height |
| 19" [480 mm] | 29" [737 mm] | 28" [711 mm] |



| MoDEL LB-200G TRoNIC DETAILS | | |
|------------------------------|-------------|-------------------------------|
| Beater | Drive Motor | 2 Hp |
| | Design | Unibody w/ Replaceable blades |
| Weight | Gross | 359 lbs [163 kg] |
| | Net | 341 lbs [155 kg] |
| Electrical Requirements | | |
| Voltage | Phase | Cycle Breaker Size |
| 208-230 | 1 | 60 Hz 40 Amps |

Distributed by



JTB DISTRIBUTORS
info@jtbdistributors.com
707.251.3910 | www.jtbdistributors.com



Carpigiani Corporation of America
3760 Industrial Drive
Winston Salem, NC 27105
Toll Free: 1 800 648 4389
carpigiani-usa.com